

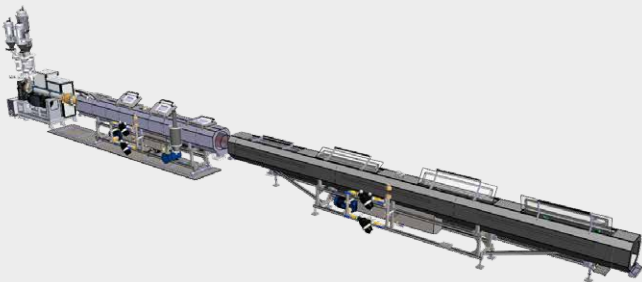
PLASTIC PIPE EXTRUSION LINES AND COMPONENTS

Extron-Mecanor offers a wide range of high performance extrusion lines for production of conduit, water, gas and sewage pipes according to international standards. Extruders, pipe die heads and inserts, calibration tools and gravimetric systems, as well as associated downstream equipment including vacuum

calibration baths, water cooling baths, haul-offs, cut-off saws, coilers etc. are available. Complete lines with desired automation level or single items of equipment are delivered depending upon customer requirements. Extron-Mecanor also offers socketing machine, ring inserting machine and packing machinery.

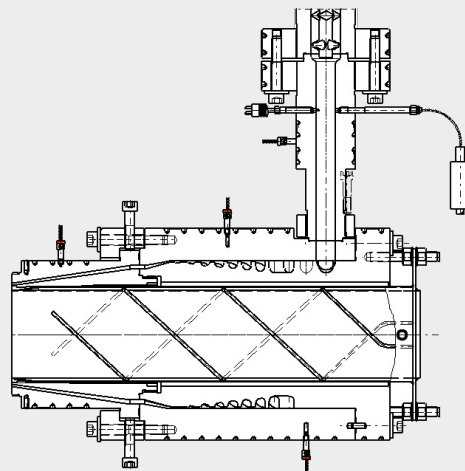
PIPE LINES

- **Solid pipe extrusion lines NS16-1200 from 1 to 5 layers**
 - HD-Pe, PP, PE-RT, PP-r etc.
 - Filling with CaCO₃ or recycled materials etc.
- **Corrugated pipe extrusion lines, NS110-900 mm, from 1 to 3 layers**
- **Flexible scope**
 - Adjustable extruder and packing layout
 - Line delivery can cover every machine from silo to storage
 - Partial deliveries also possible



PIPE COATING

- **Coating lines NS110-1200 from 1 to 3 layers**
 - for metal and plastic pipes
 - HD-Pe, PP, PE-RT, PP-r etc.
 - Filling with CaCO₃ or recycled materials etc.
- **Mobile solutions**



EXTRON ENGINEERING OY / MECANOR OY

Talittatie 4, FI-37800 Akaa, Finland
tel. +358 207 302 800
info@extron-mecanor.com



www.extron-mecanor.com

